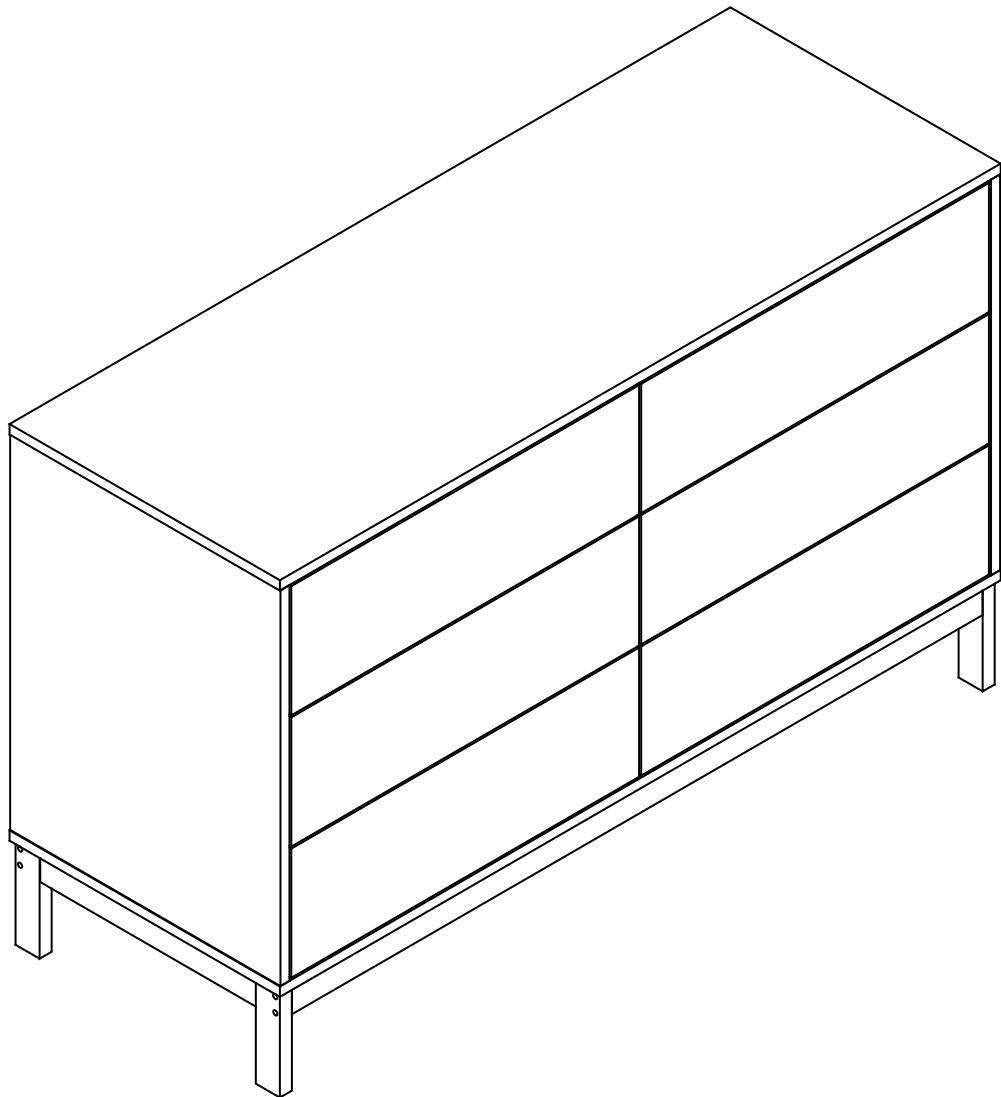


# Zander

## Six Drawer

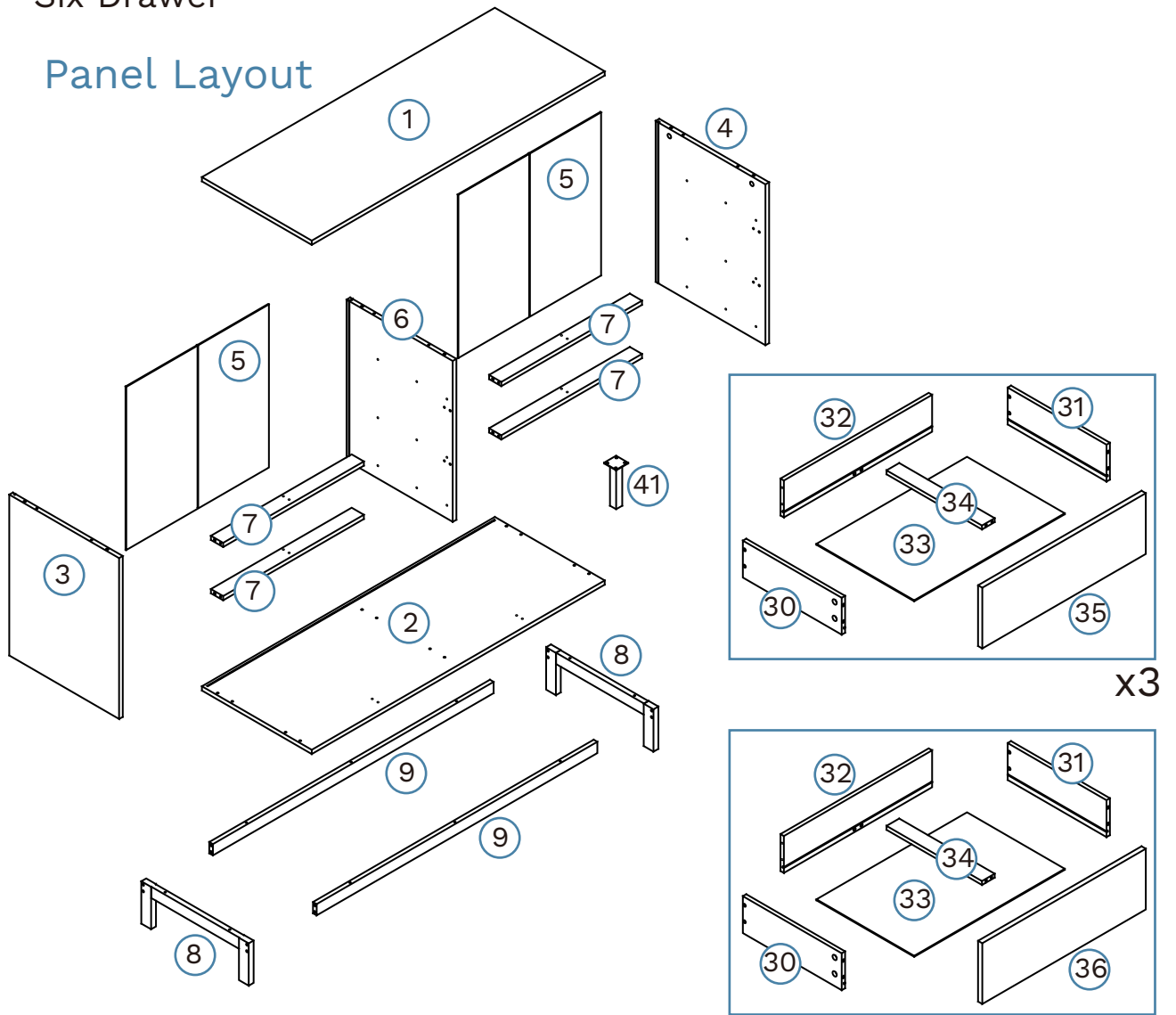
Thank you for your purchase. Please follow the instructions for correct assembly. While we took great effort to ensure these assembly instructions were correct at the time of printing, sometimes updates are required post production. For the most up to date versions please refer to the product page on our website. [mocka.com.au/mocka.co.nz](http://mocka.com.au/mocka.co.nz)



# Zander

Six Drawer

## Panel Layout

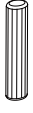


















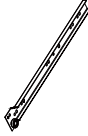
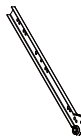




## Partlist






①	Top Panel	x1	③①	Left Drawer Side	x6
②	Bottom Panel	x1	③②	Right Drawer Side	x6
③	Left Side Panel	x1	③③	Drawer Back	x6
④	Right Side Panel	x1	③④	Drawer Base	x6
⑤	Back Panel	x2	③⑤	Rail	x6
⑥	Divider	x1	③⑥	Drawer Front	x3
⑦	Rail	x4	④①	Drawer Front	x3
⑧	Leg	x2		Support Leg	x1
⑨	Rail	x2			

# Zander

## Six Drawer

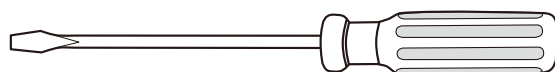
<b>A</b>	<b>B</b>	<b>C</b>	<b>D</b>	<b>E</b>	<b>F</b>	<b>G</b>	<b>H</b>	<b>I</b>	<b>J</b>	<b>K</b>	<b>L</b>
											
dowel x22	long screw x6	bolt x44	locking nut x44	screw x72	bolt x8	wedge x8	screw x8	screw x36	Allen Key x1	bracket x6	cover x6
<b>M</b>	<b>N</b>	<b>O</b>	<b>P</b>	<b>Q</b>	<b>R</b>	<b>S</b>	<b>CL</b>	<b>CR</b>	<b>DL</b>	<b>DR</b>	
											
seal x6	long screw x10	screw x18	washer x10	long dowel x2	adjuster x1	screw x4	slide rail x6	slide rail x6	slide rail x6	slide rail x6	

**HARDWARE SUPPLIED**

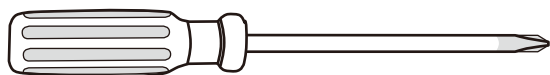
<b>V</b>	<b>W</b>	<b>X</b>	<b>Y</b>	<b>Z</b>
				
safety strap x2	screw x 2	wall anchor x 2	wall screw x 2	washer x 4

**WALL STRAP**

**WARNING:** Any furniture that is not anchored to a wall has the potential to tip over in certain circumstances, i.e. if a child attempts to climb up on the furniture or in the event of an earthquake. Accordingly, we recommend that all furniture is anchored to a wall. We supply a free safety wall anchor with all furniture sold and we recommend these are used to prevent your product tipping. The fixing device provided should fit most wall types, but please note that different wall materials may require different fixing devices from those supplied.



Phillips & Flathead screwdrivers

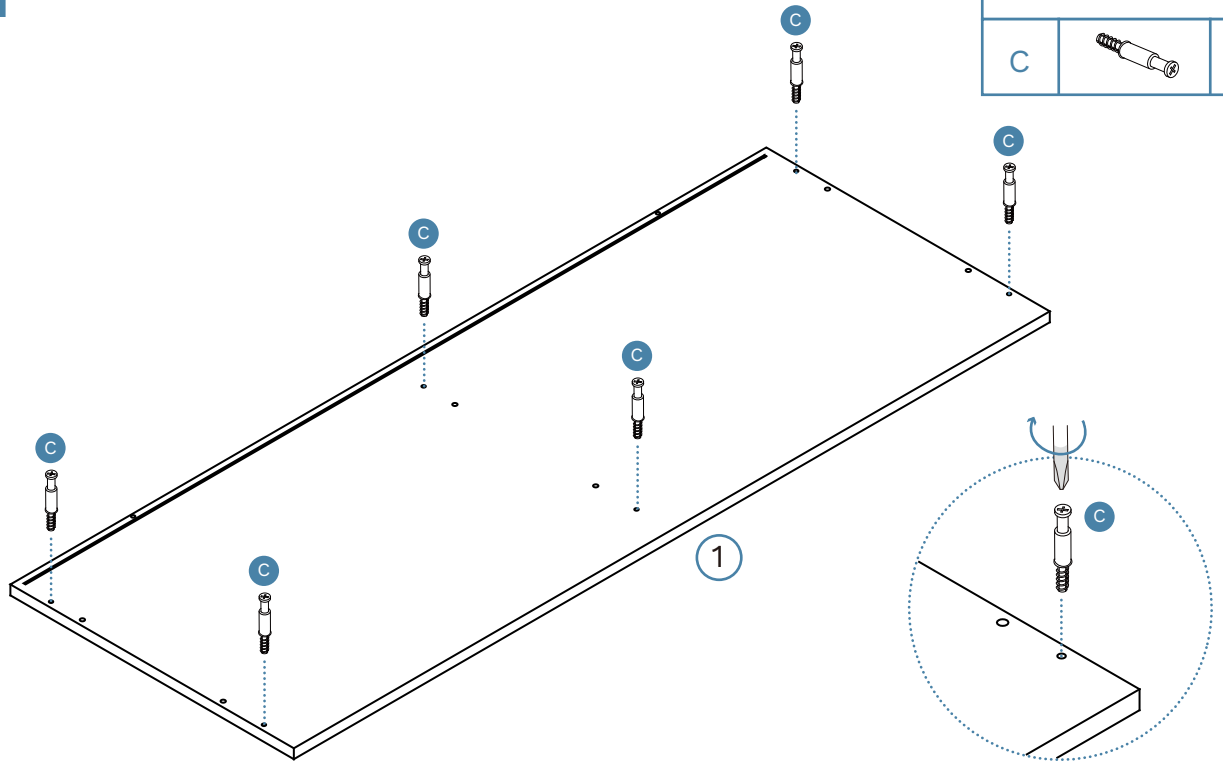



**For quicker assembly, we recommend the use of a power drill on a low-speed setting.**

# Zander

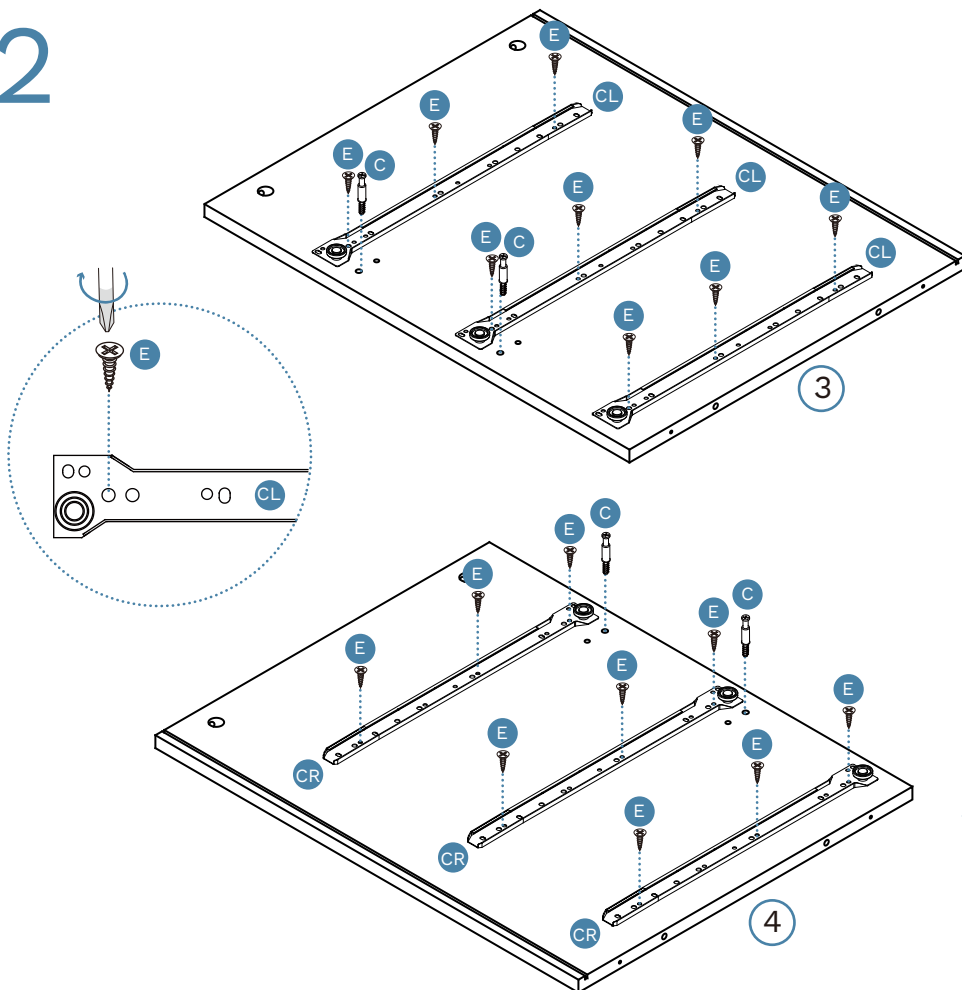
Six Drawer





1

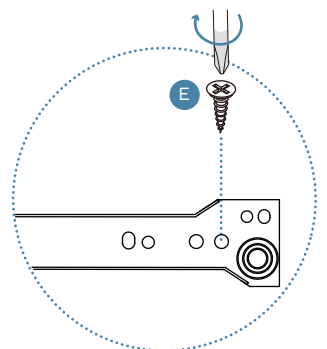


Hardware Needed		
C		x6

2



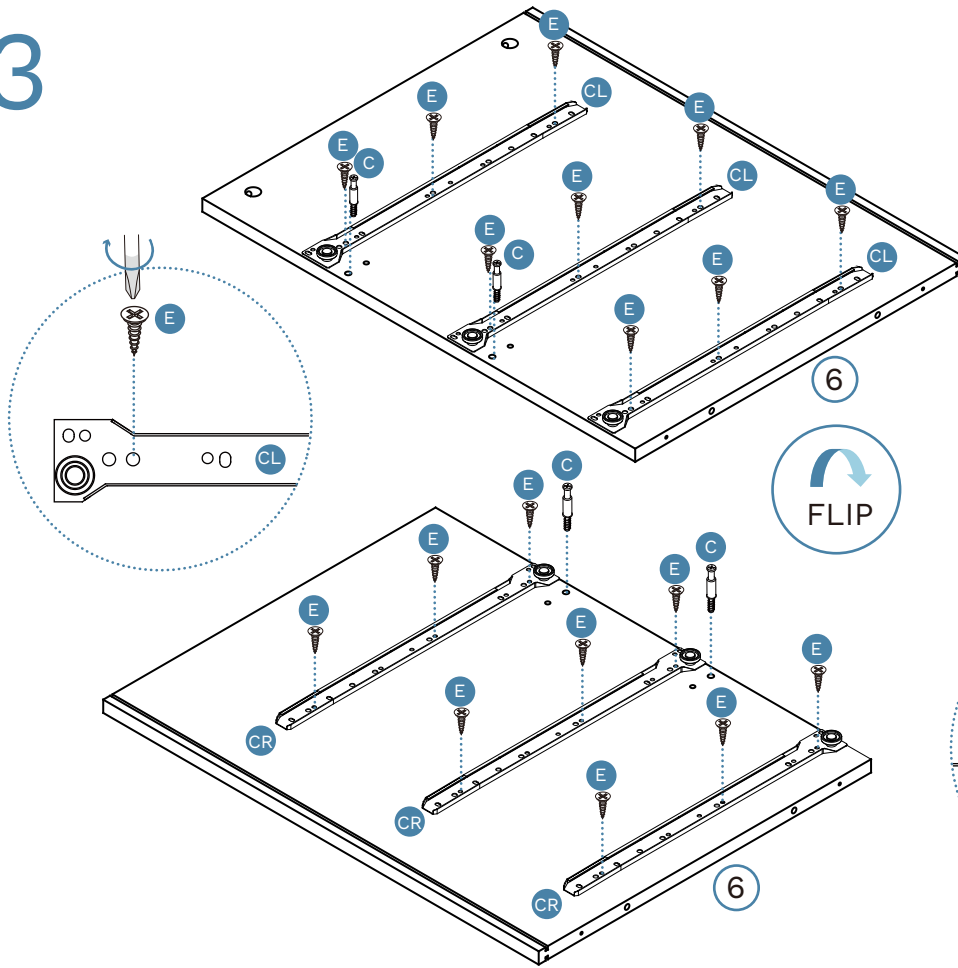
Hardware Needed		
C		x4
E		x18
CL		x3
CR		x3



# Zander

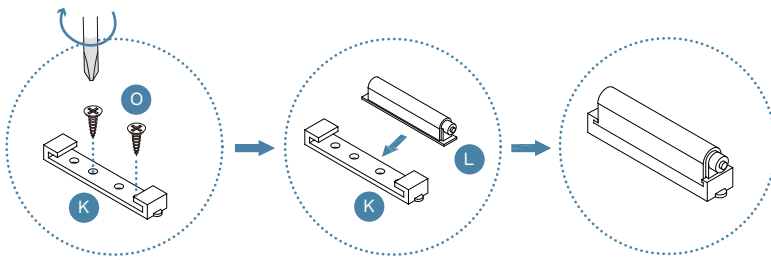
## Six Drawer

3



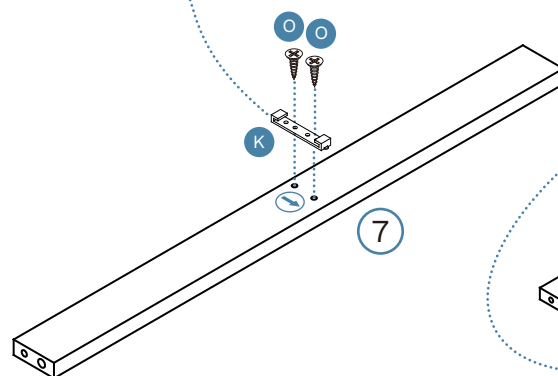
Hardware Needed		
C		x4
E		x18
CL		x3
CR		x3

4 x4

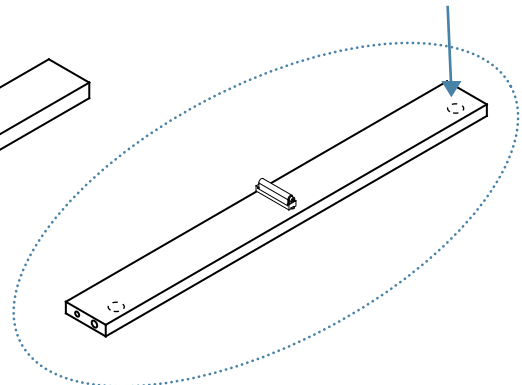


Hardware Needed		
K		x4
L		x4
O		x8

The round head is aligned with the direction of the arrow.



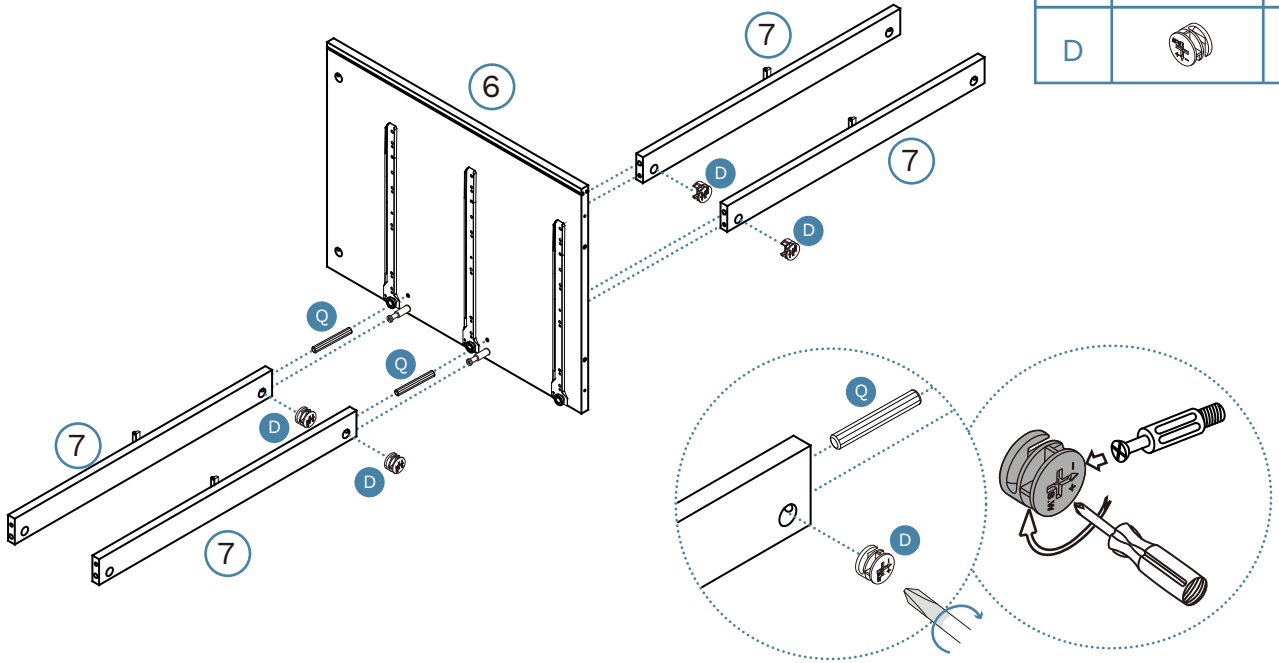
Hole in the front





# Zander

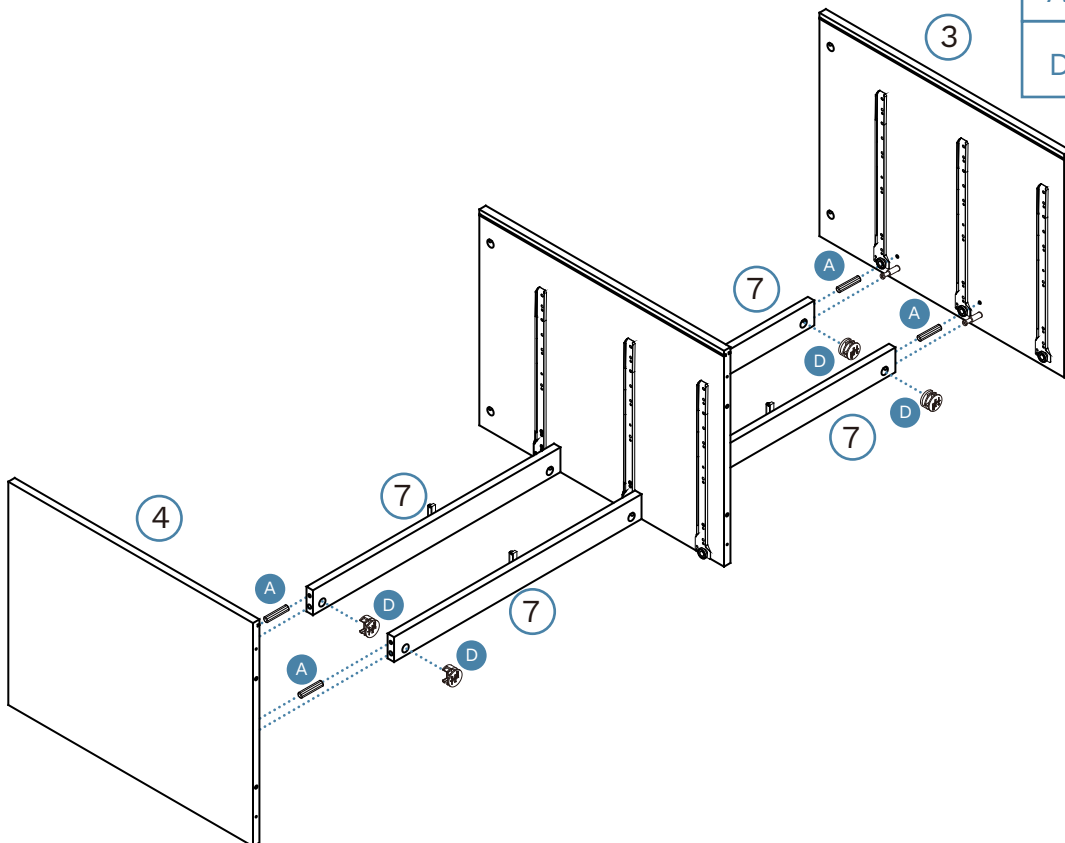
Six Drawer



5



Hardware Needed		
Q		x2
D		x4

6

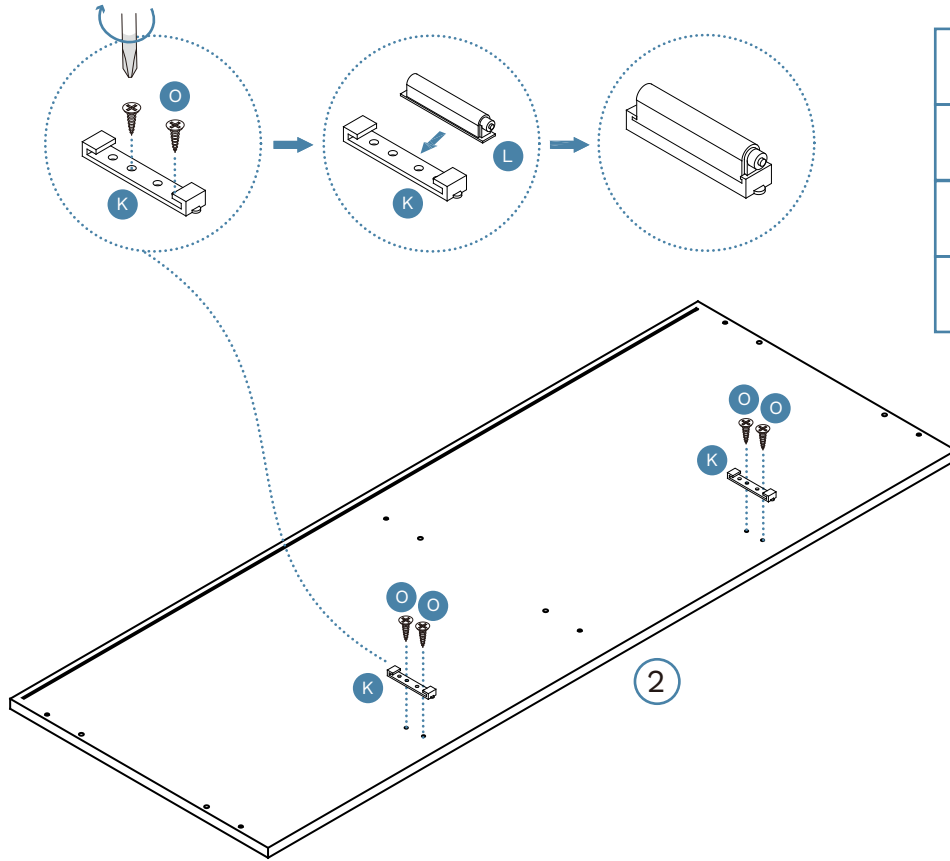


Hardware Needed		
A		x4
D		x4

# Zander

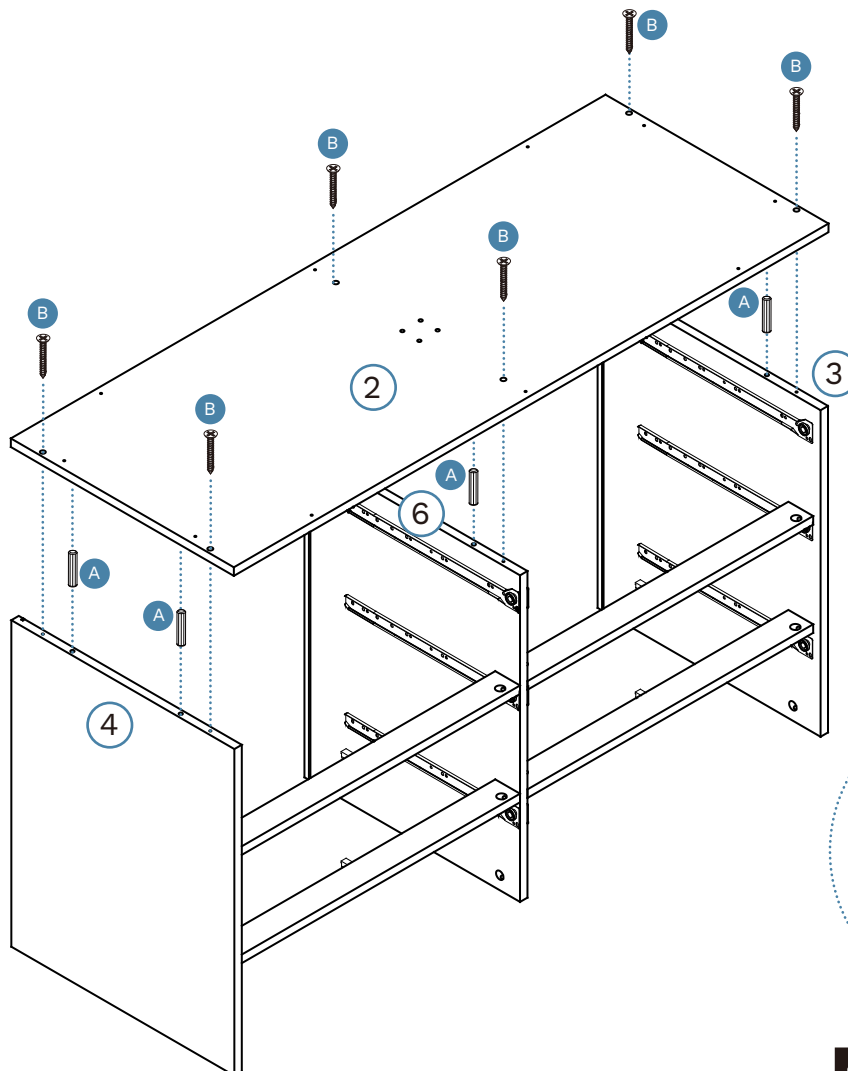
Six Drawer

7



Hardware Needed		
K		x2
L		x2
O		x4

8

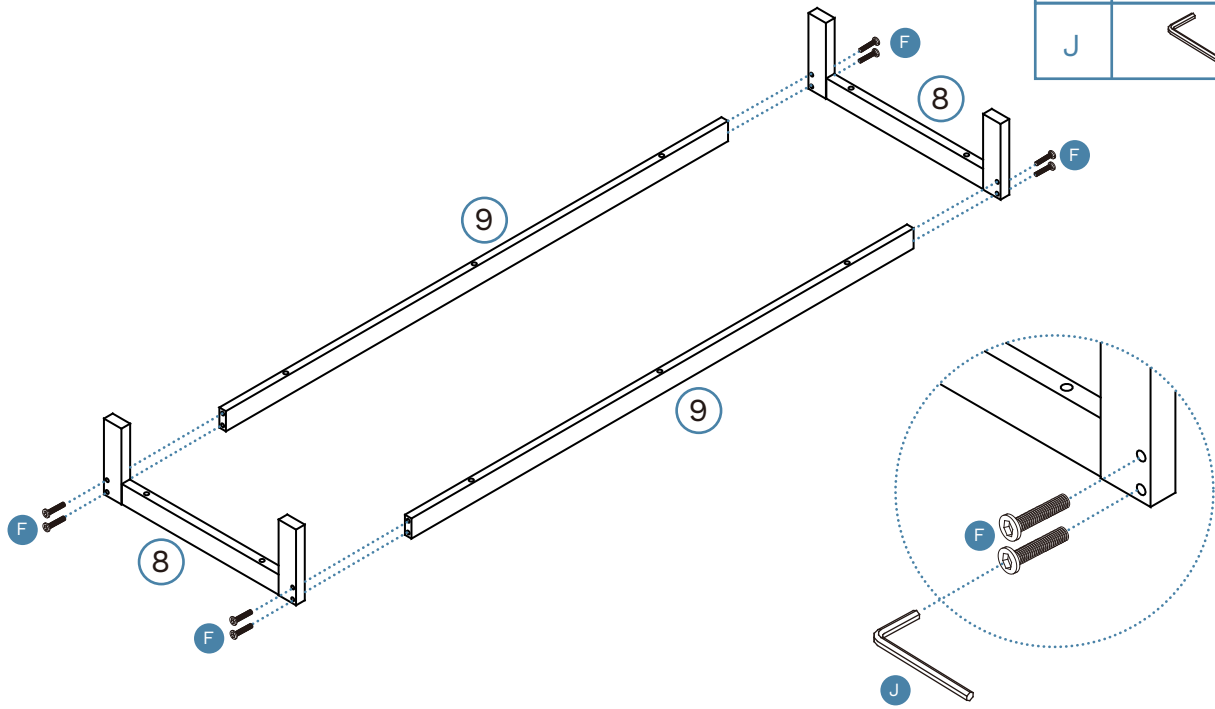




Hardware Needed		
A		x6
B		x6

# Zander

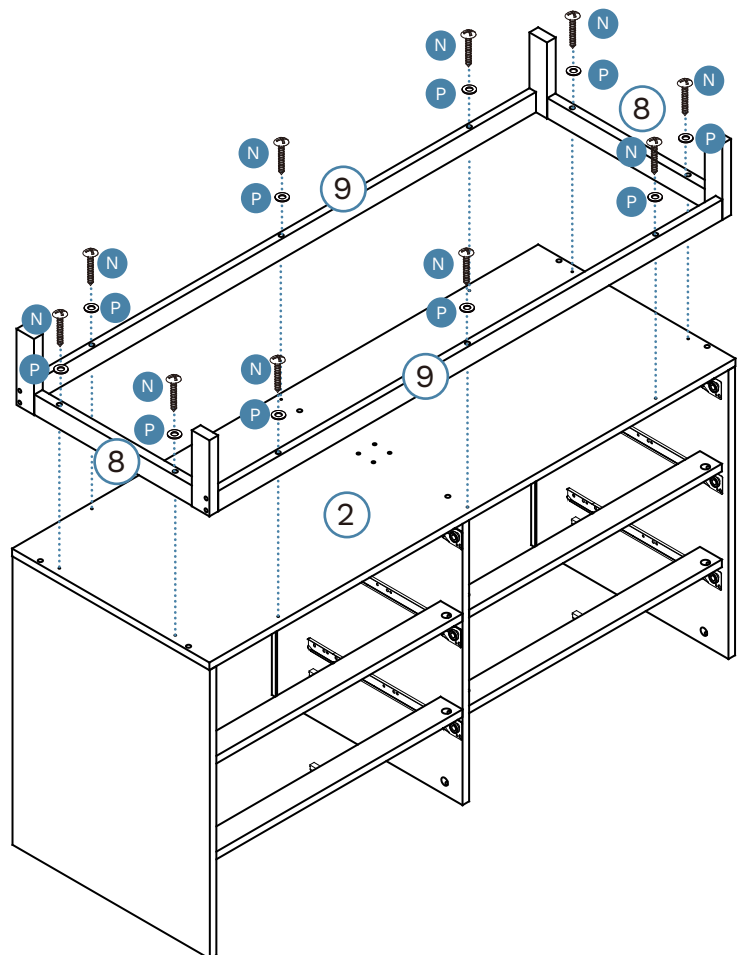
Six Drawer



9

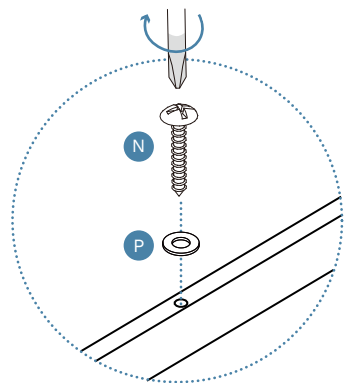


Hardware Needed		
F		x8
J		x1

10



Hardware Needed		
N		x10
P		x10

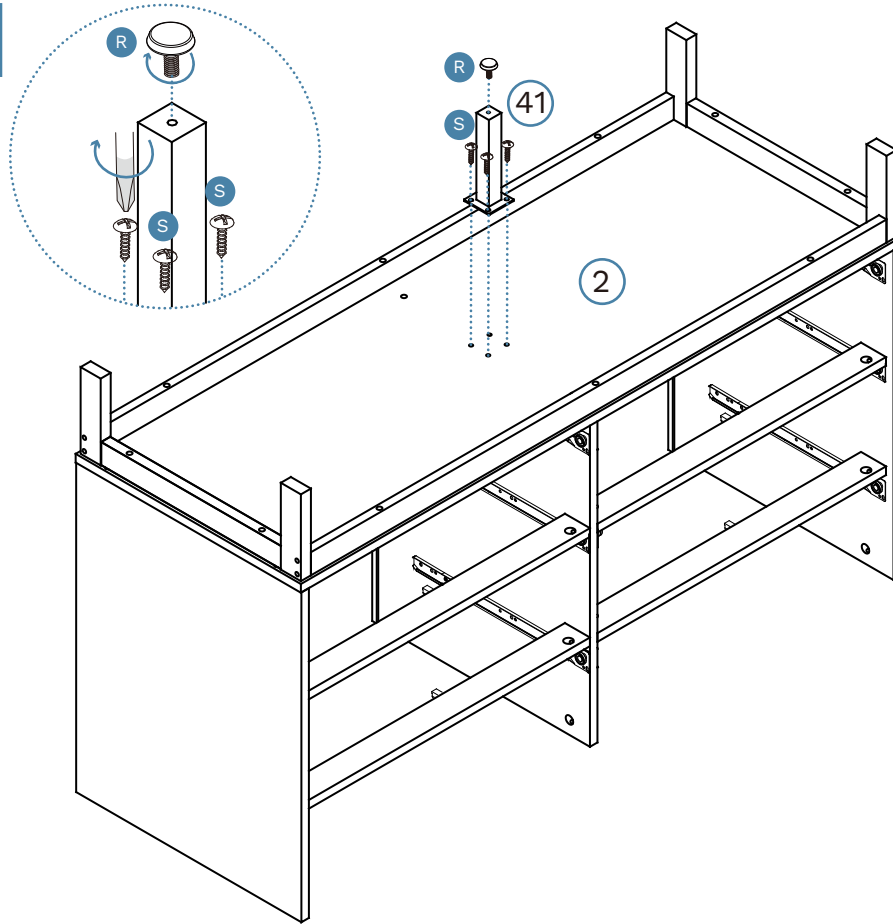






# Zander

Six Drawer

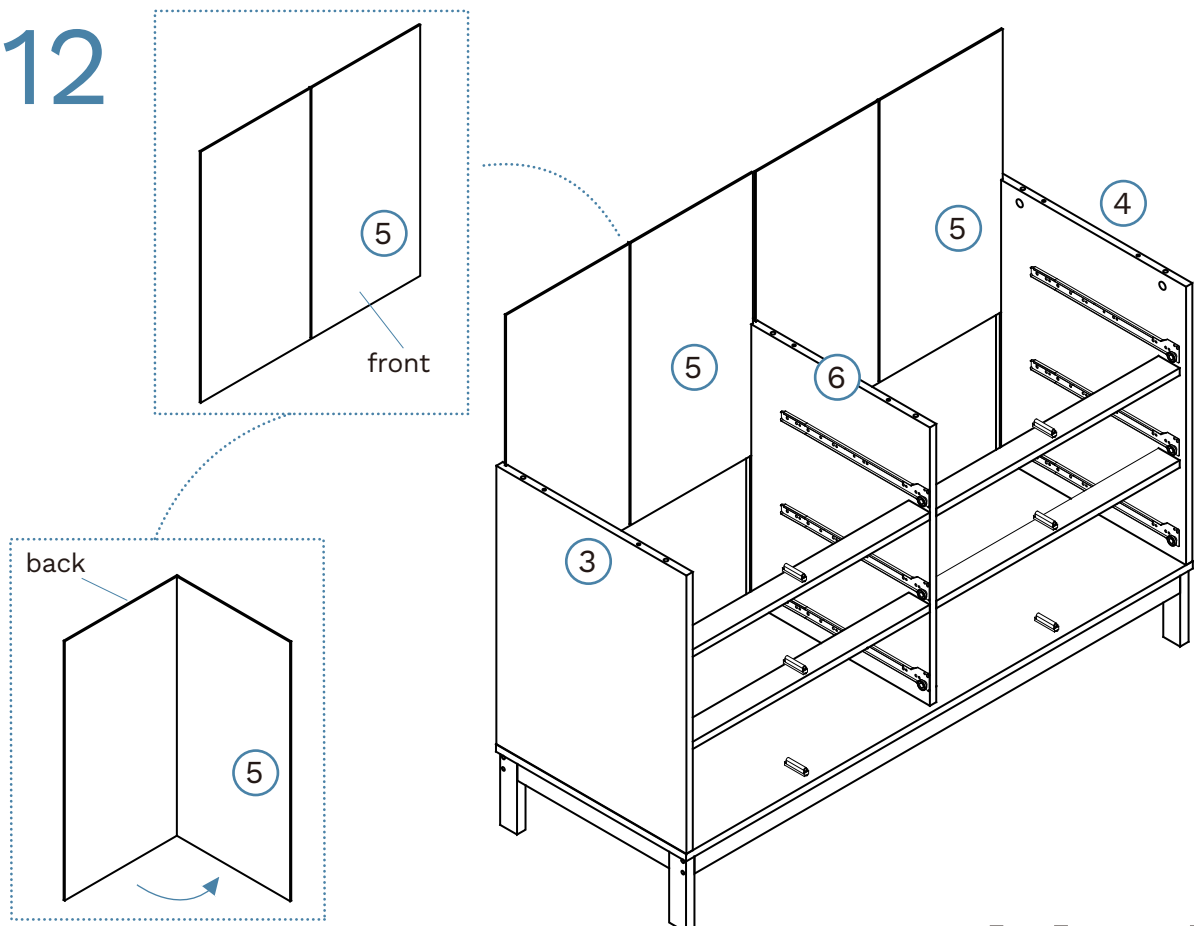
11



Hardware Needed		
S		x4
R		x1

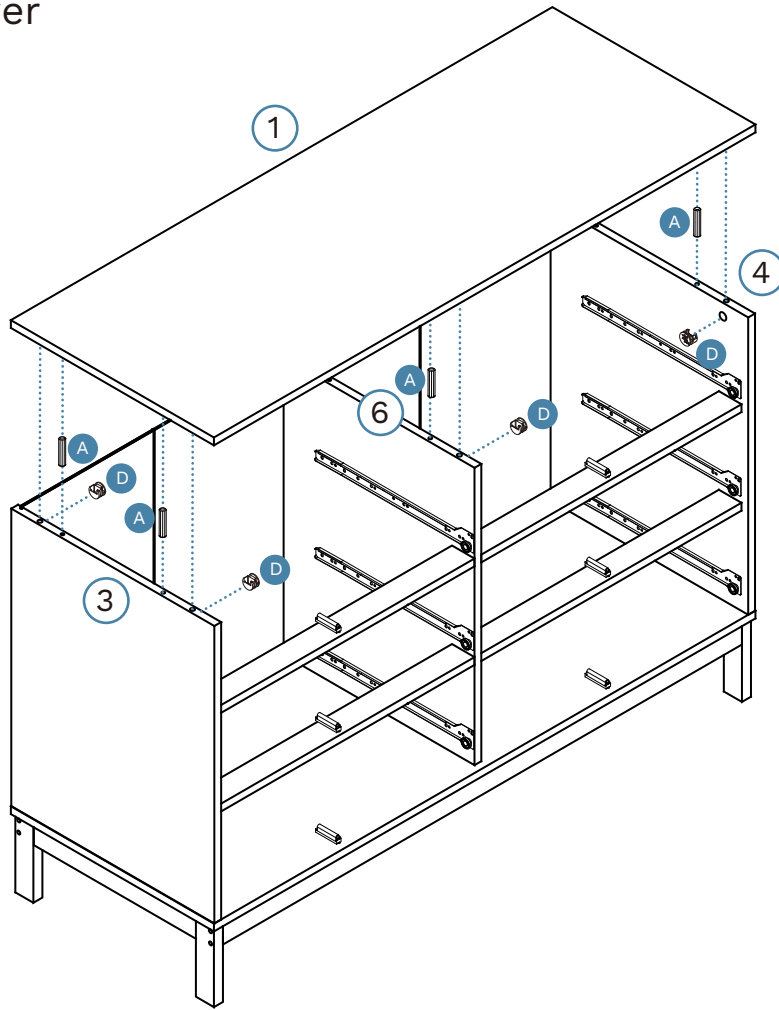
TURN OVER



12



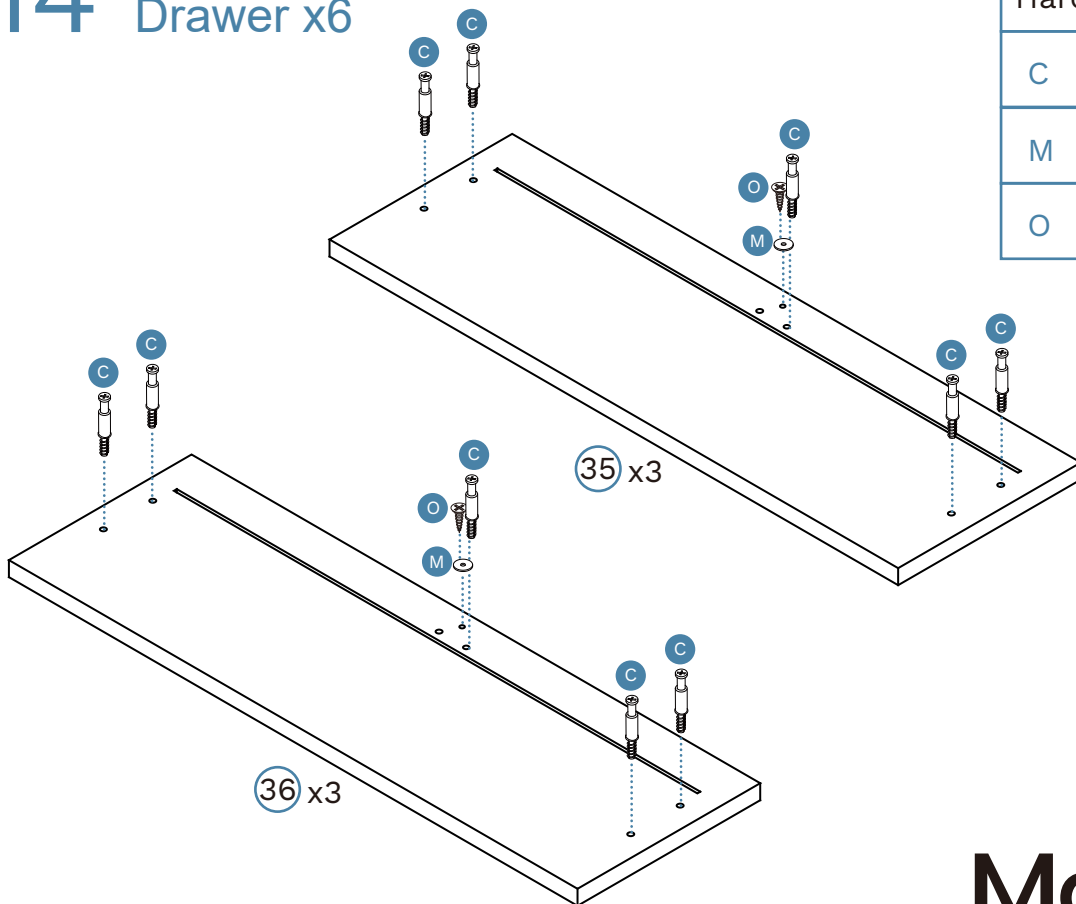
Zander  
Six Drawer




13



Hardware Needed		
A		x6
D		x6

14 Drawer x6

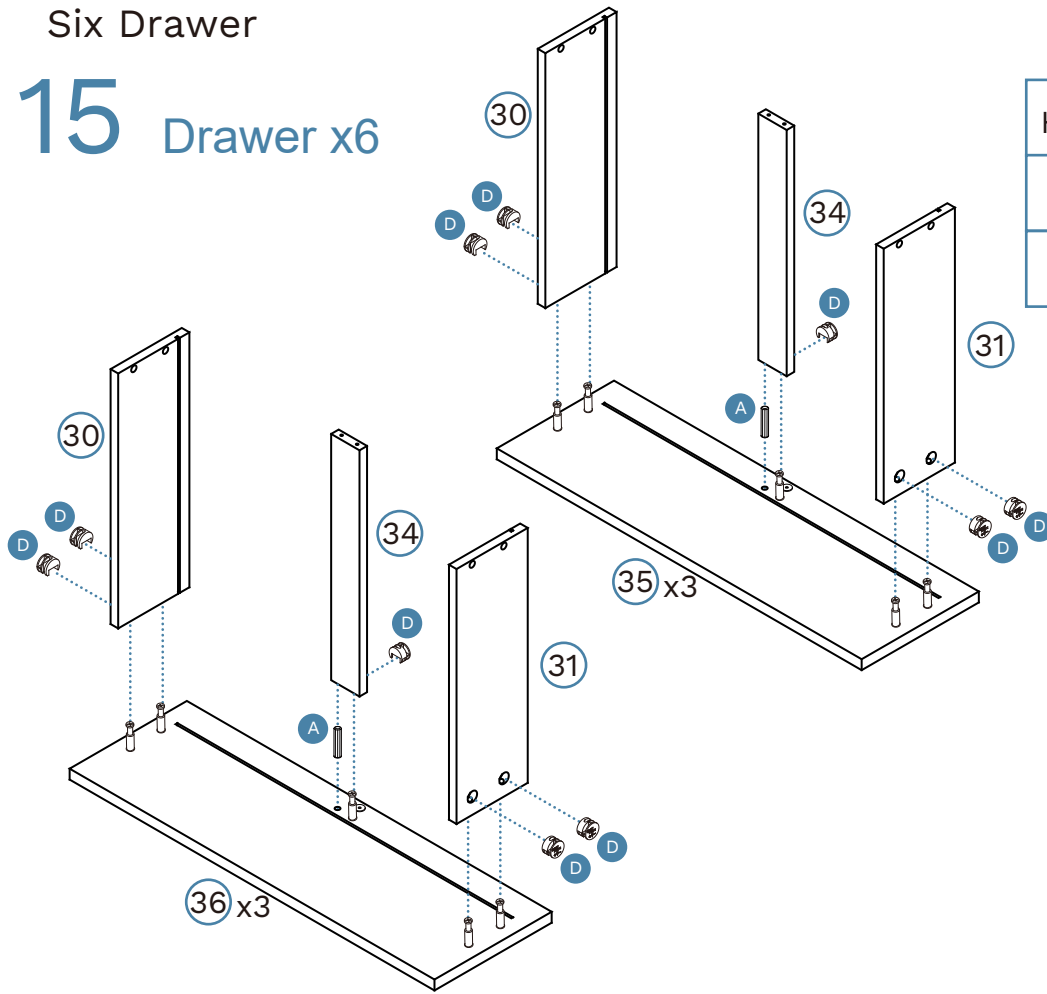




Hardware Needed		
C		x30
M		x6
O		x6

# Zander

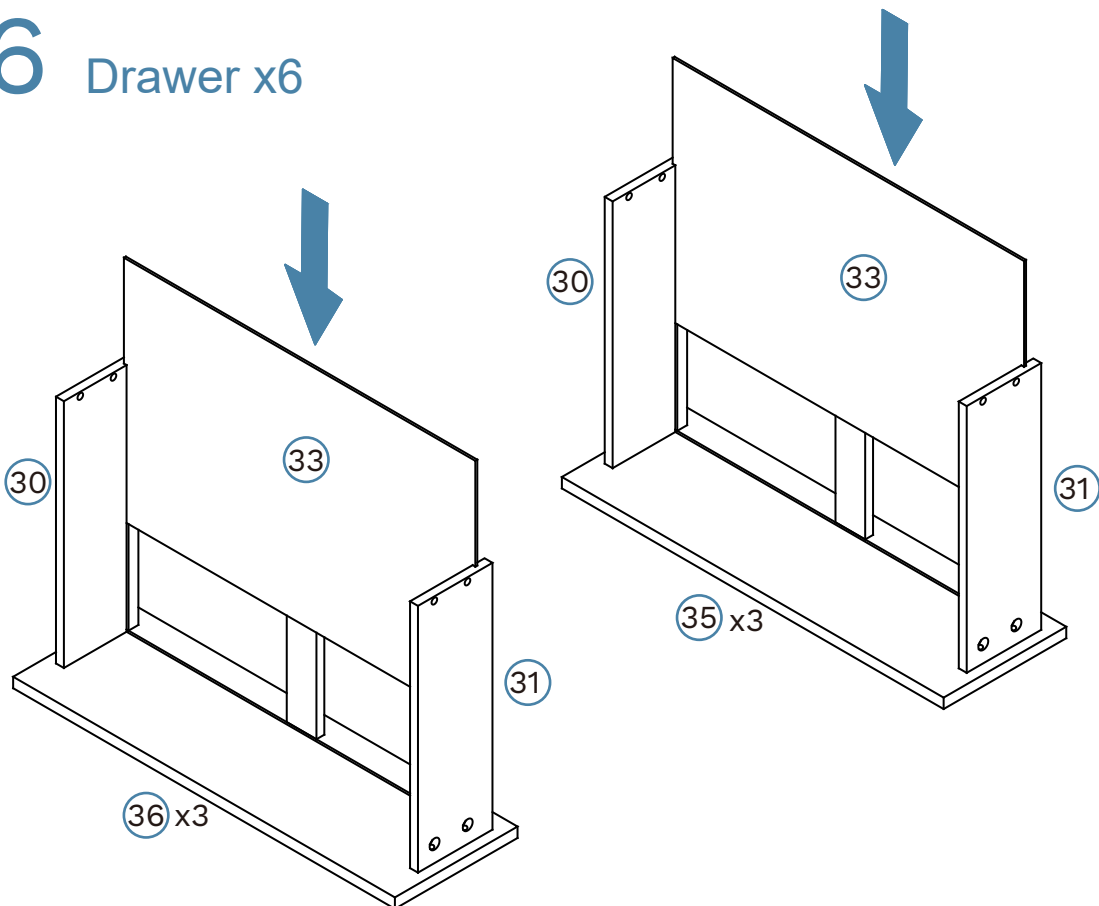
Six Drawer

## 15 Drawer x6



Hardware Needed		
A		x6
D		x30

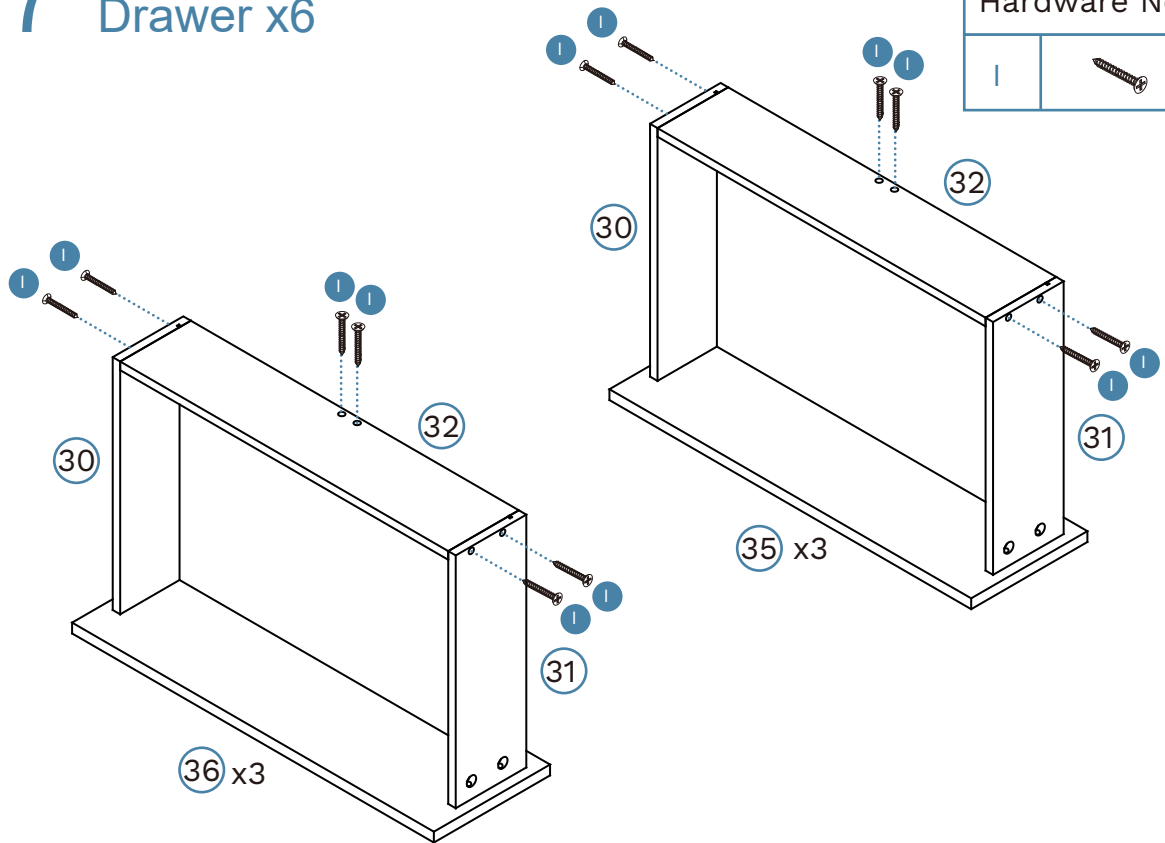
## 16 Drawer x6



# Zander

Six Drawer

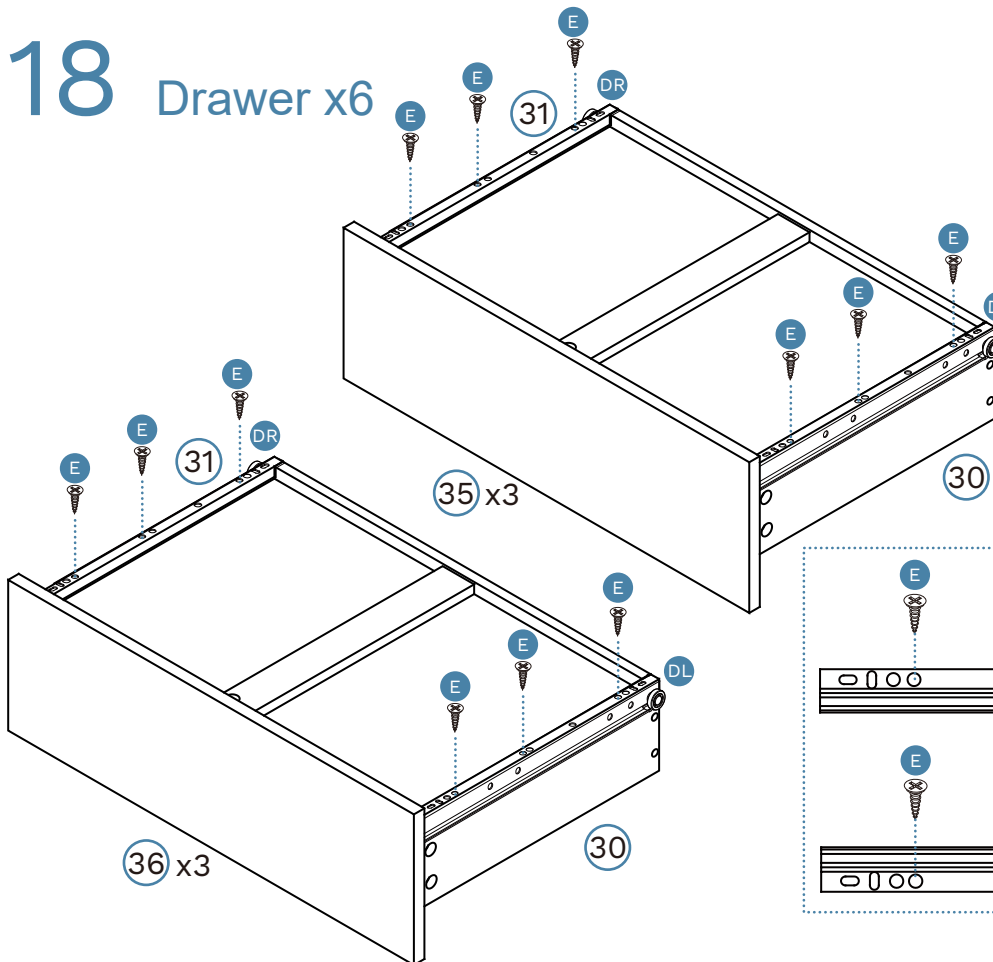
## 17 Drawer x6






Hardware Needed

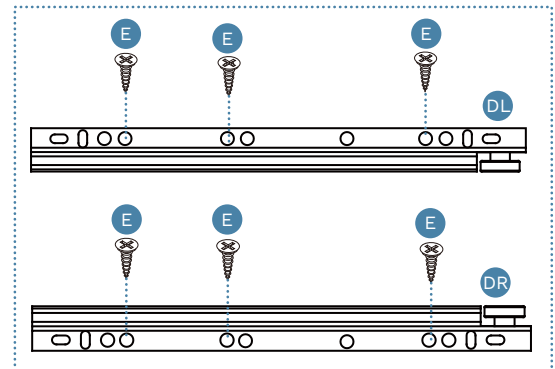
I		x36
---	---	-----

## 18 Drawer x6



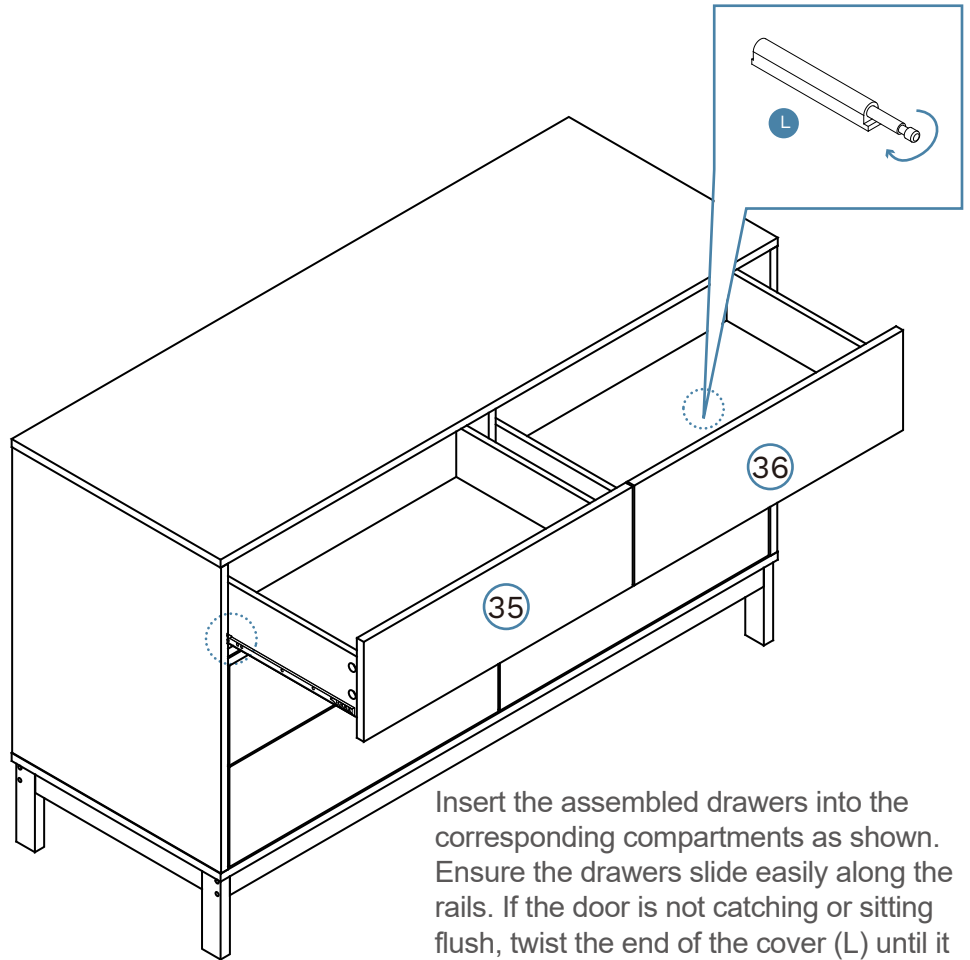
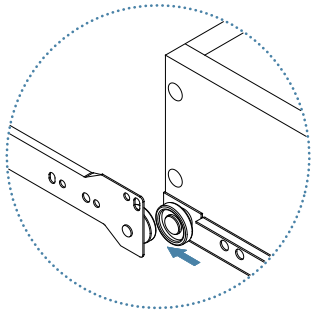
Hardware Needed

E		x36
DL		x6
DR		x6



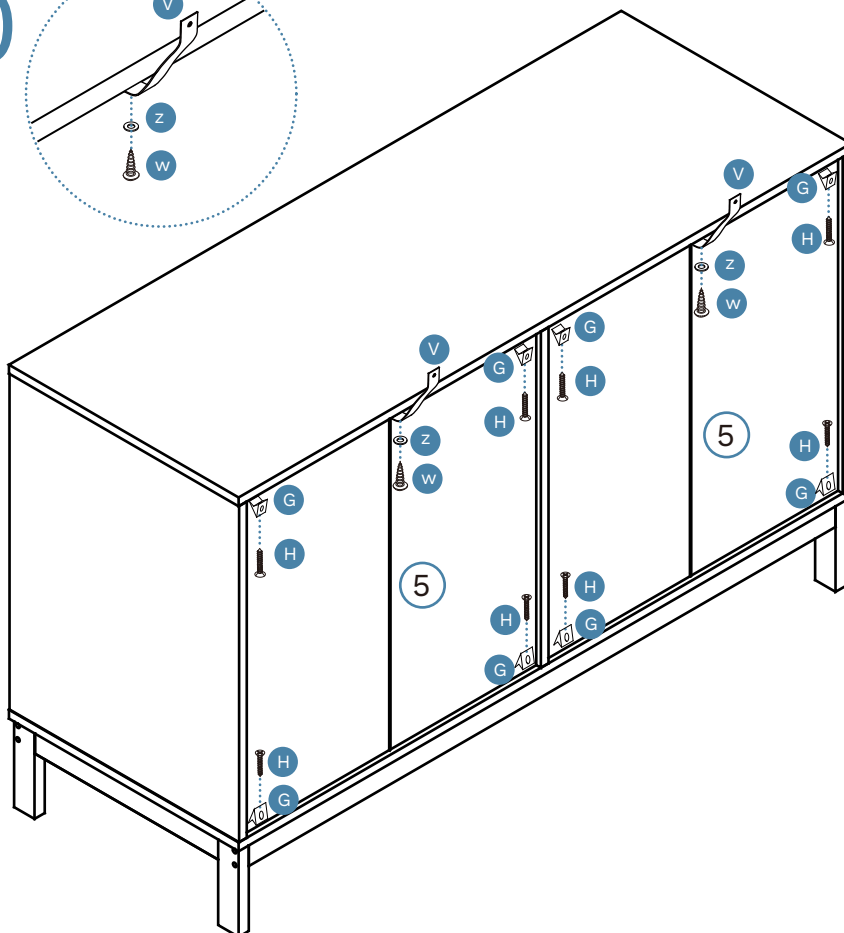
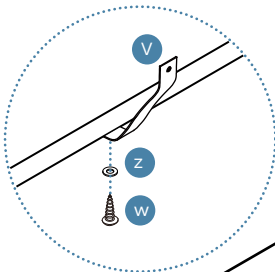
Zander  
Six Drawer

19

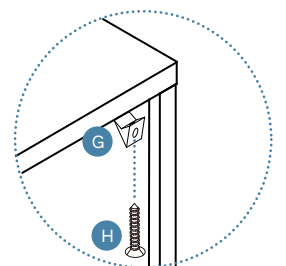


Insert the assembled drawers into the corresponding compartments as shown. Ensure the drawers slide easily along the rails. If the door is not catching or sitting flush, twist the end of the cover (L) until it catches on the seal (M).

20

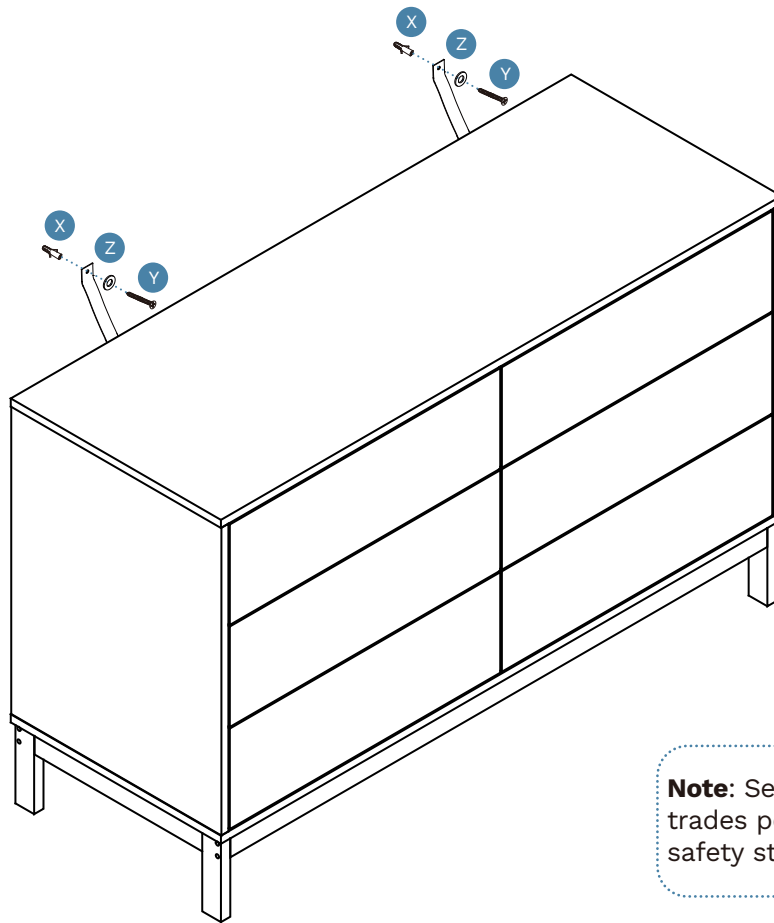


Hardware Needed		
G		x8
H		x8
V		x2
W		x2
Z		x2

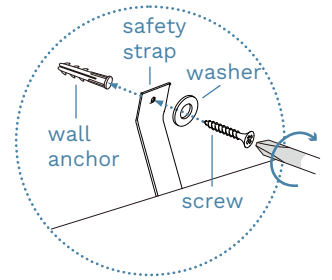


Zander  
Six Drawer

21

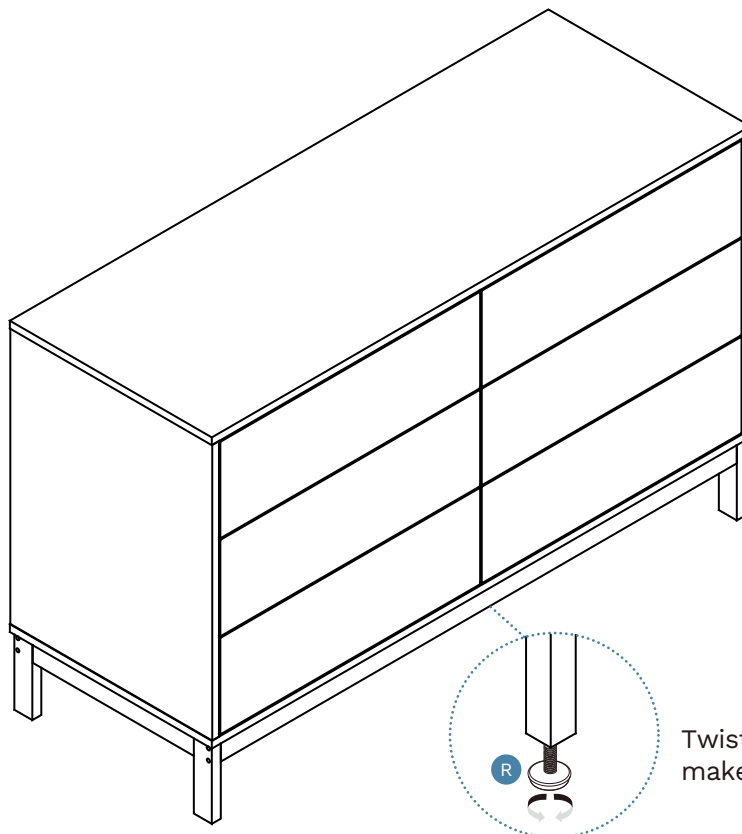


Hardware Needed		
x		x2
Y		x2
Z		x2



**Note:** Seek advice from a qualified trades person on how to attach this safety strap to your specific wall.

22



Twist the adjuster on centre leg to make sure the top panel is flush.

Once assembled lift furniture into place, do not drag. You're done, enjoy!